

## Target Board:

<b>4</b>	<b>7</b>	<b>2</b>	<b>9</b>	<b>3</b>
<b>13</b>	<b>18</b>	<b>16</b>	<b>19</b>	<b>15</b>
<b>1</b>	<b>5</b>	<b>8</b>	<b>10</b>	<b>6</b>
<b>11</b>	<b>14</b>	<b>20</b>	<b>12</b>	<b>17</b>

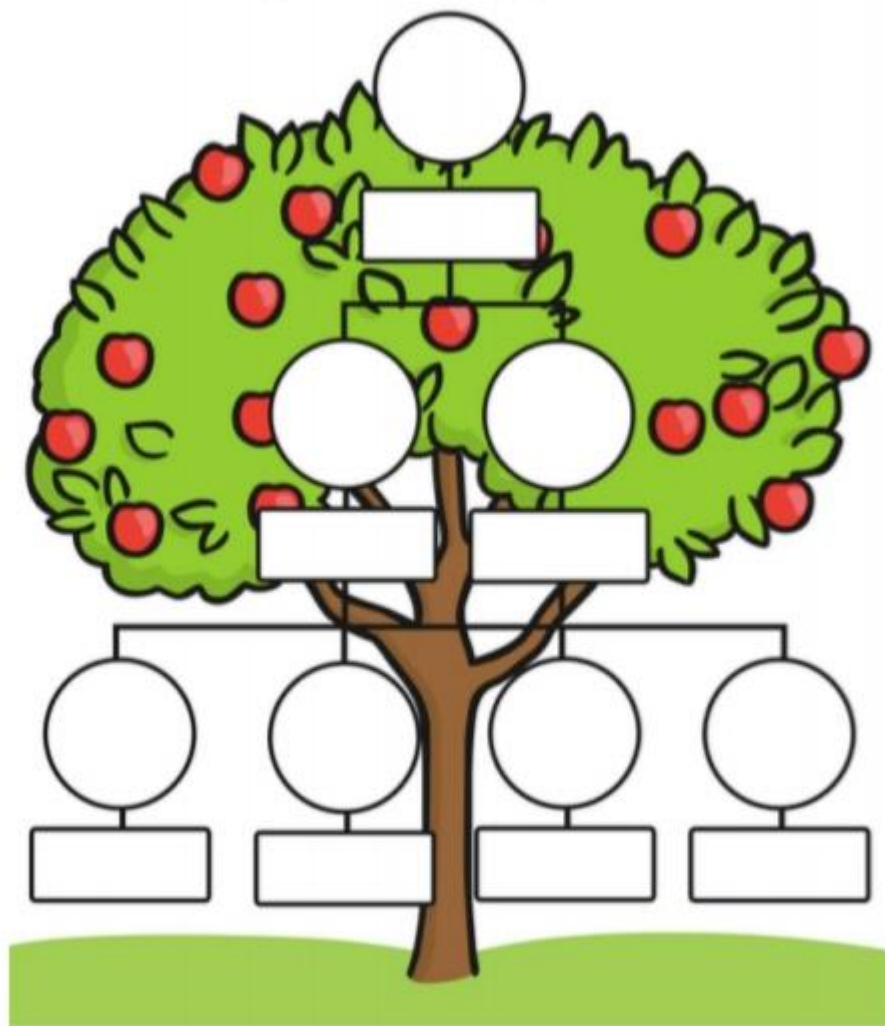
1. How many rows are there?
2. How many columns are there?
3. What numbers are in the top row?
4. What numbers are in the bottom row?
5. What numbers are in the first column, second column, last column?
6. Show me the number 7, 9, 19 etc
7. What number is below...?
8. What number is above...?
9. What number is to the left of...?
10. What number is to the right of...?
11. Point to the number 7, what number comes after 7?
12. Point to the number 19, what number comes before 19?
13. Point to even/odd number?
14. Point to half of 12/18/10/8//6 4/2/
15. Point to double 2/3/4/5/6/7/8/9/10

## Ceisteanna do Droch Lá Ruairí:

Céard a chur tús le droch lá Ruairí?

1. Cén fáth go raibh Mam ag screadáil ar Ruairí ar maidin?
2. Céard a rinne Ruairí leis an liathróid ag am súgartha?
3. Céard a tharla ag ám ealaíne?
4. Cén píosa is fearr leat ón scéal? Agus cén fáth a thaitin sé leat?
5. An raibh droch lá agat niamh? Céard a tharla?

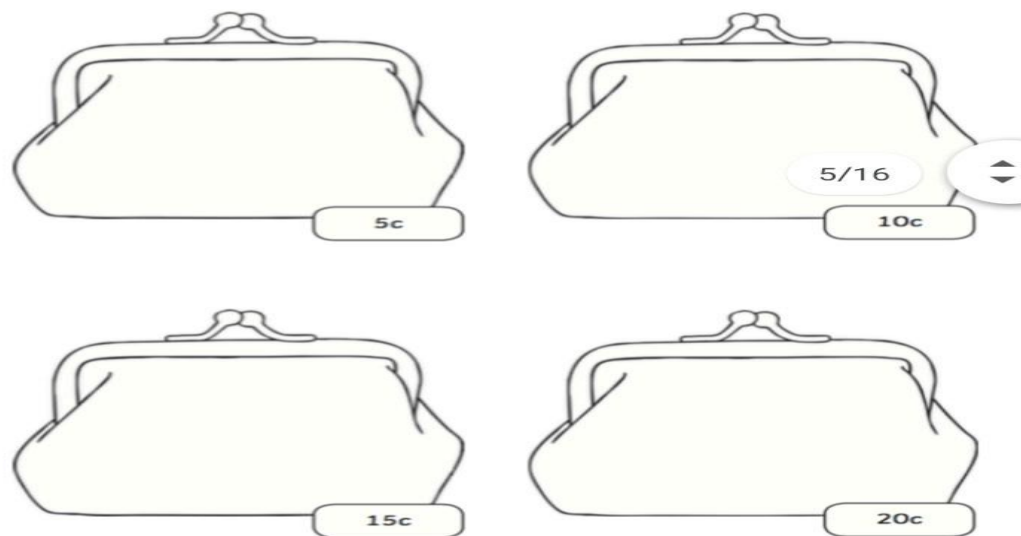
# My Family Tree

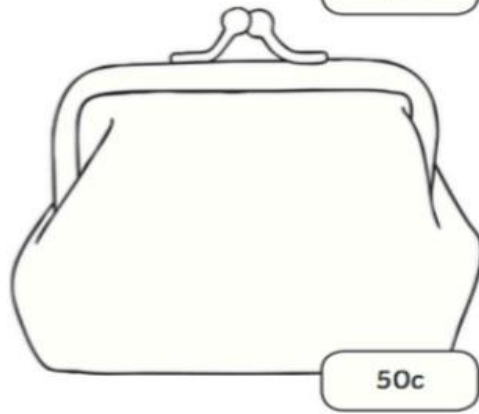
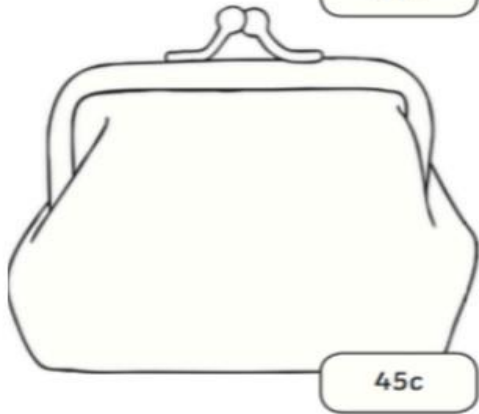
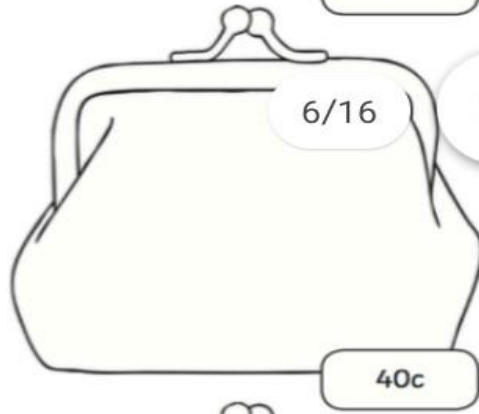
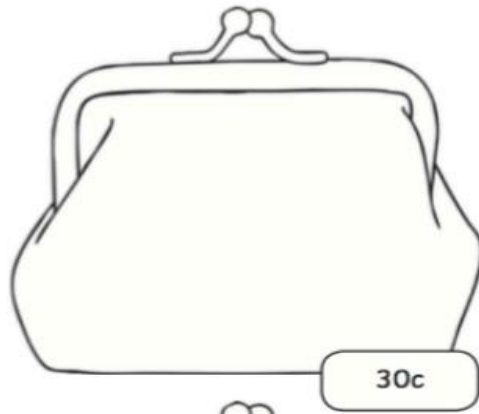


Choose from a couple of worksheets below, do as much as you can. There are a few to select from based on what you feel would best suit for your child. As well as the worksheet below, it would be beneficial to take out a purse and fill with coins, allow your child to handle and look at the coins while doing the worksheets. What coins can you use to make these amounts.

### **Euro Cut and Stick Activity**

*Cut and stick coins to match the amounts for each purse.*





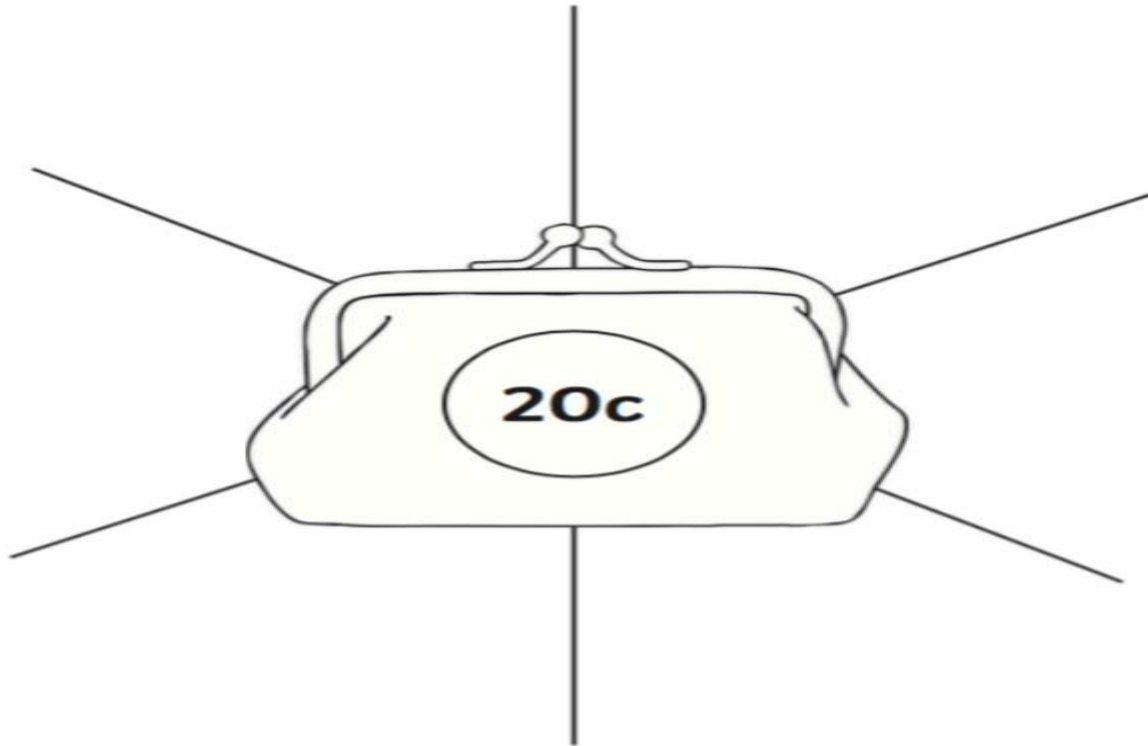


7/16



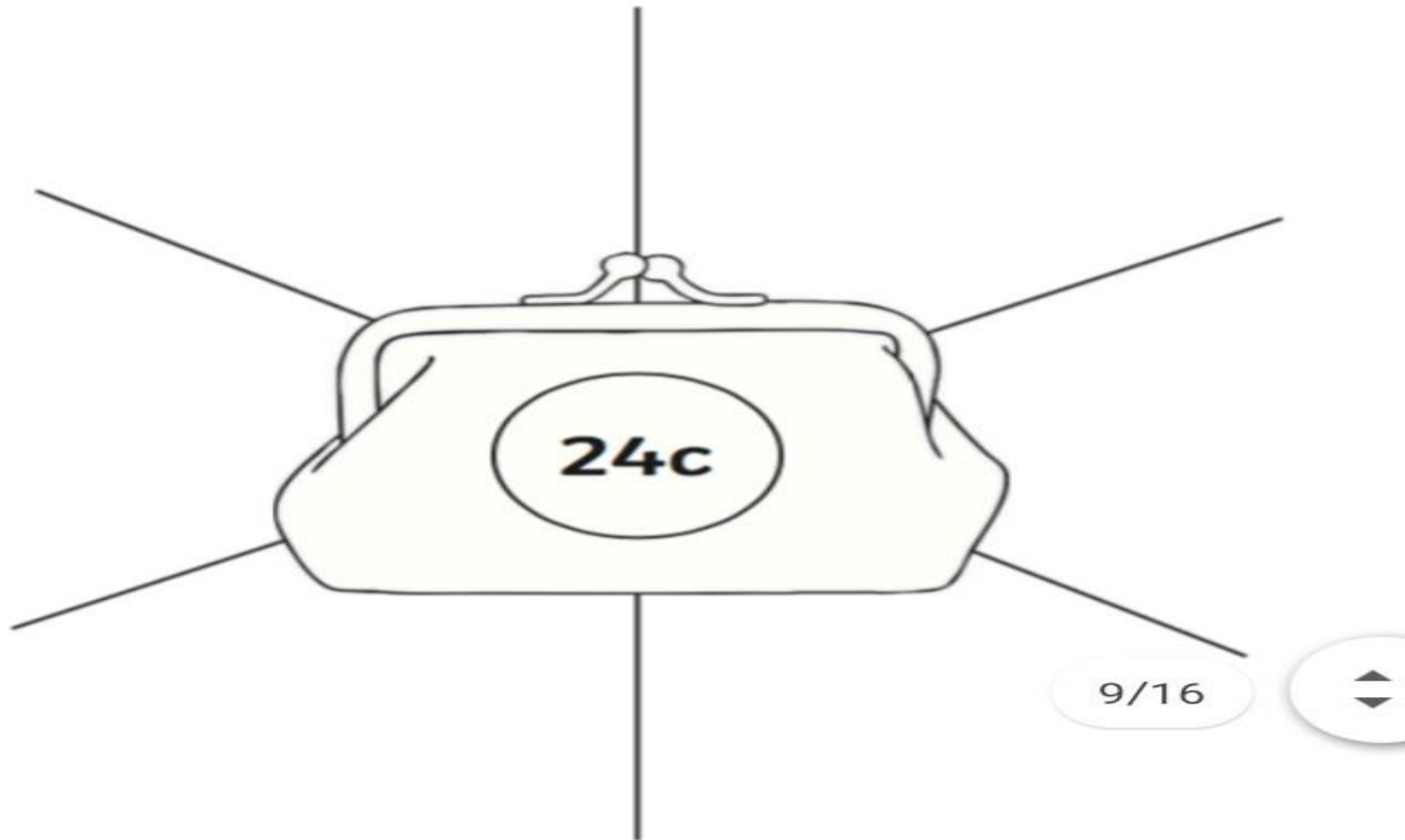
## Show Me the Money Euro

Can you find different ways to make the same amount as the money in the purse?



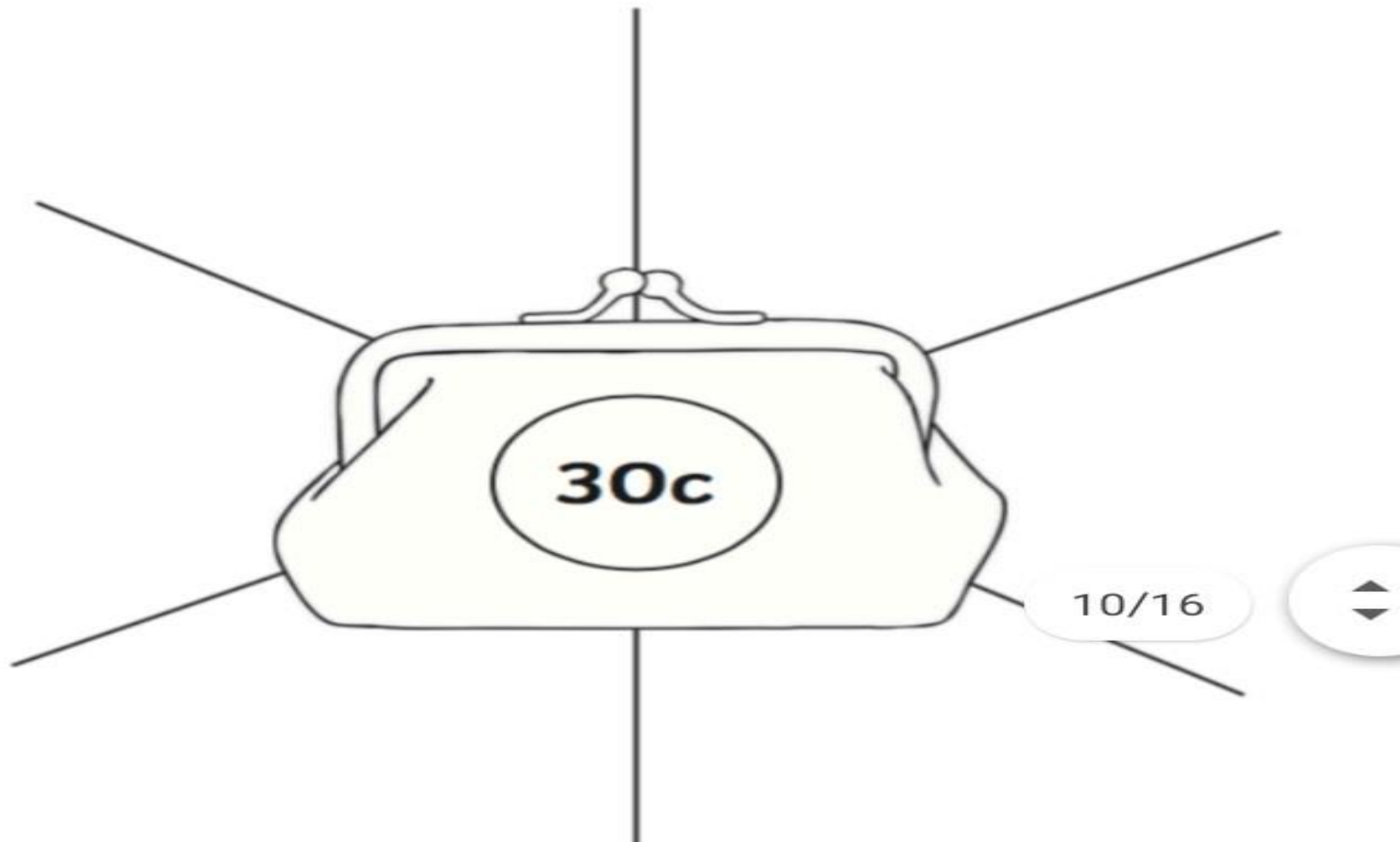
# Show Me the Money Euro

Can you find different ways to make the same amount as the money in the purse?



# Show Me the Money Euro

Can you find different ways to make the same amount as the money in the purse?



Make the following totals in the piggy banks by cutting out the coins  
at the bottom of the page

**5c**



**7c**



**8c**



**11c**



**16c**



**20c**





### Pre-Cursive Handwriting Practice

Name: \_\_\_\_\_

Date: \_\_\_\_\_

Look at the little dog.

\_\_\_\_\_

\_\_\_\_\_

\_\_\_\_\_

There are fish in the sea.

\_\_\_\_\_

### Pre-Cursive Handwriting Practice

Name: \_\_\_\_\_

Date: \_\_\_\_\_

The cat sat on the mat.

\_\_\_\_\_

\_\_\_\_\_

\_\_\_\_\_

Do you have any cats?

\_\_\_\_\_

